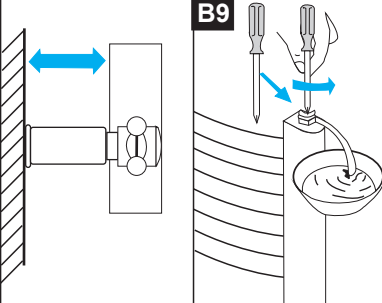
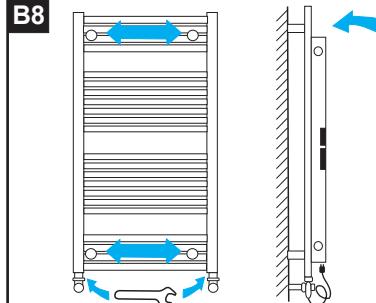
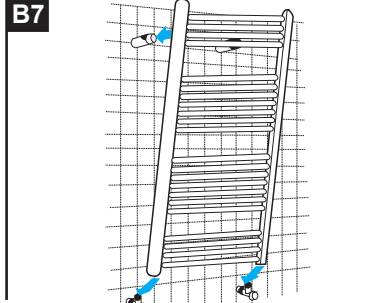
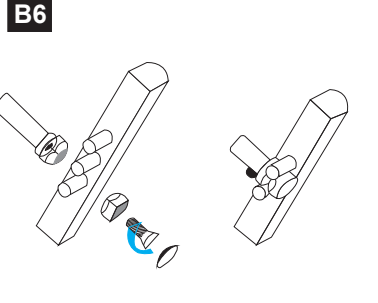
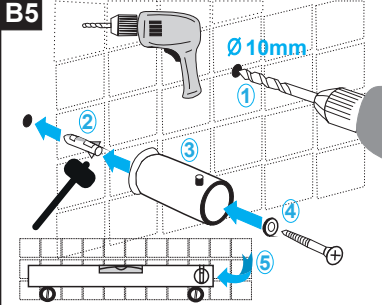
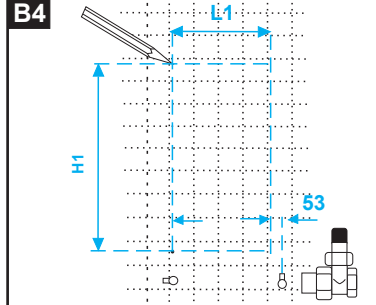
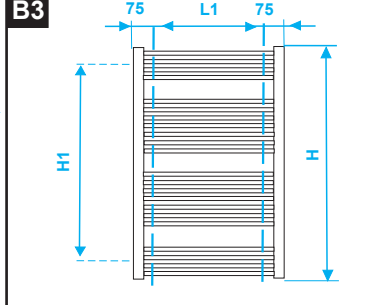
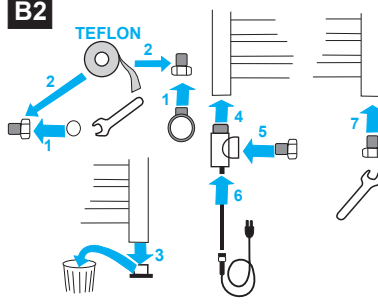
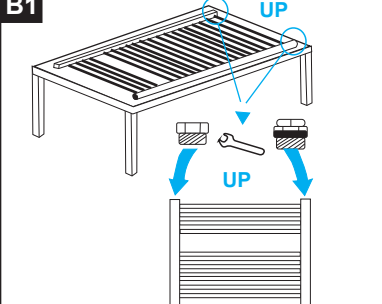
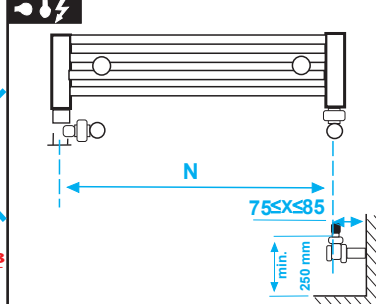
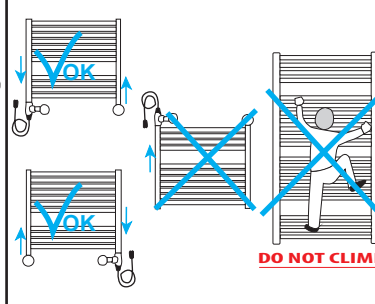
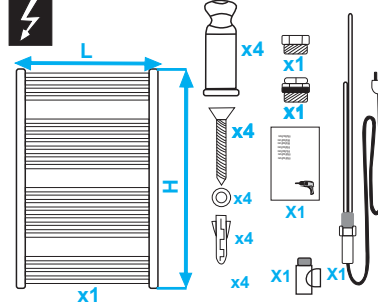
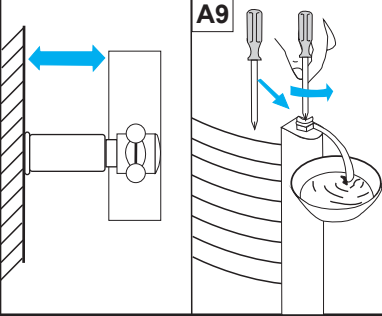
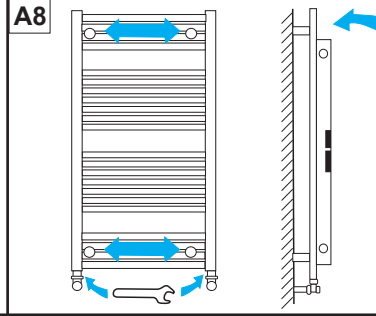
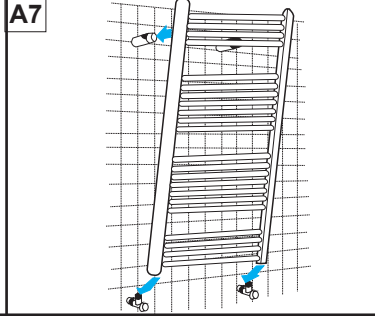
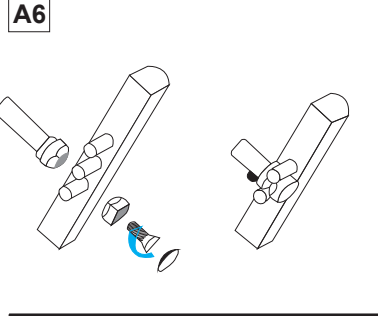
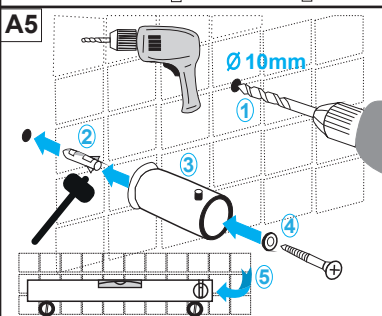
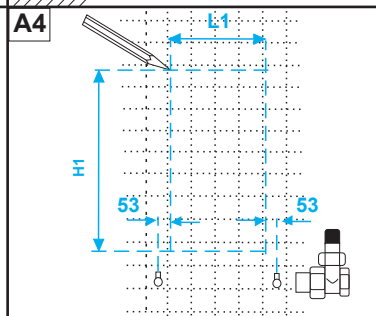
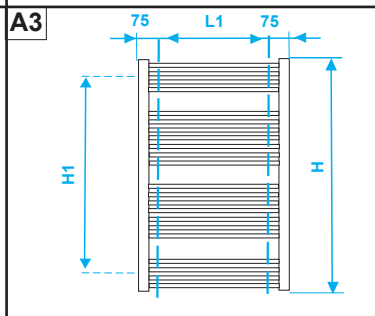
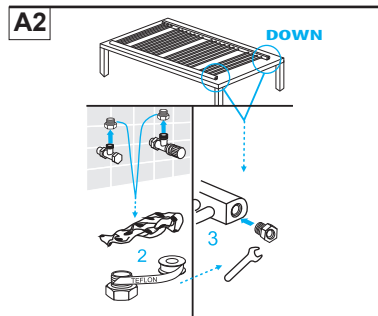
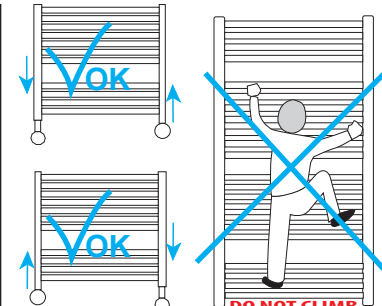
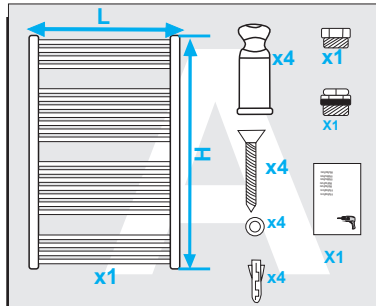
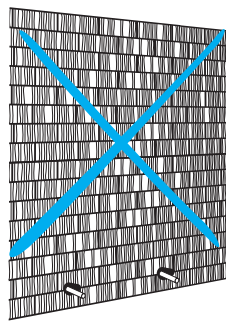
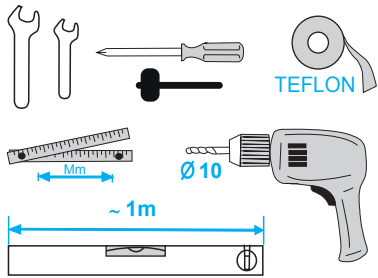


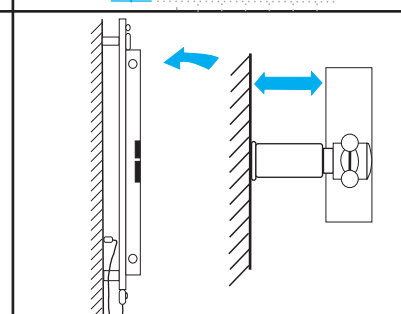
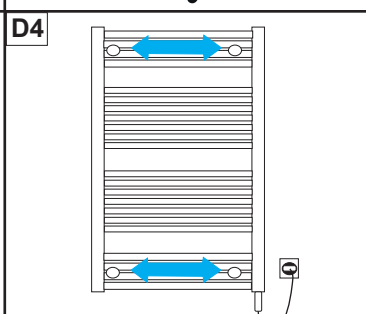
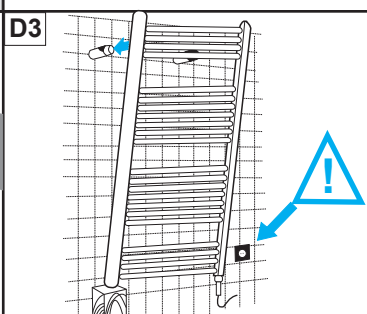
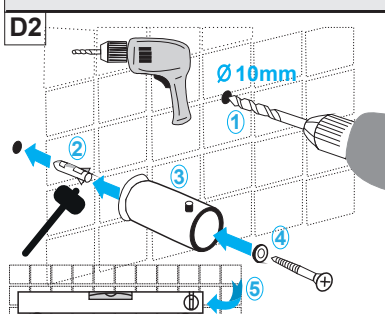
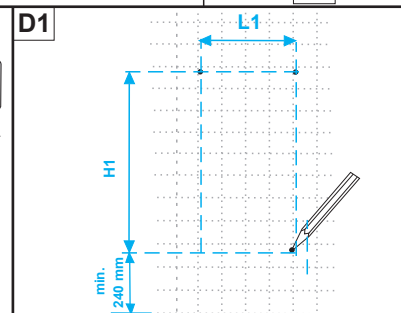
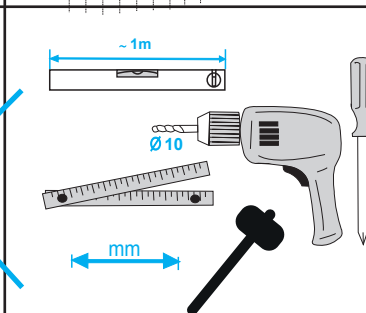
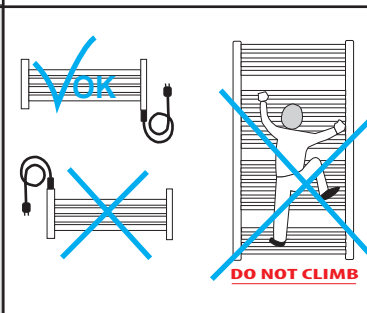
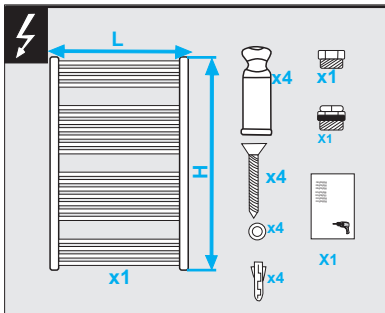
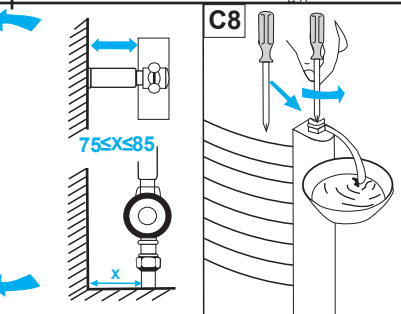
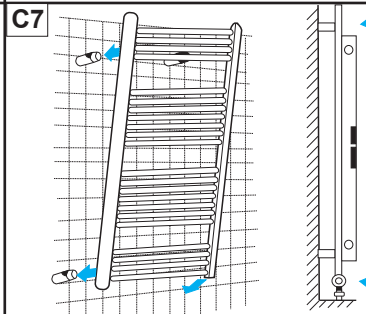
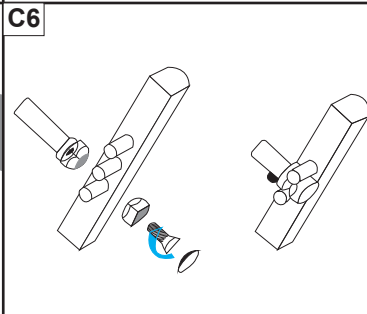
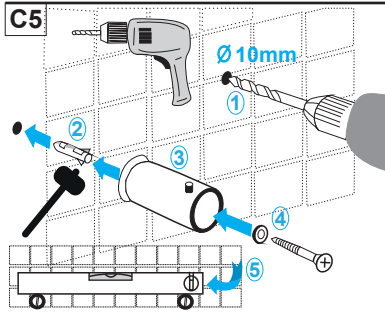
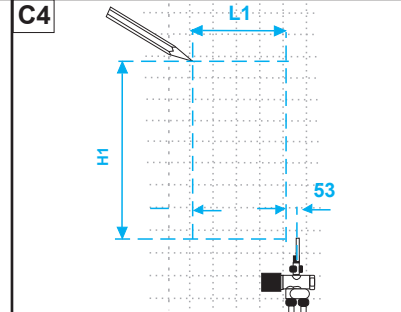
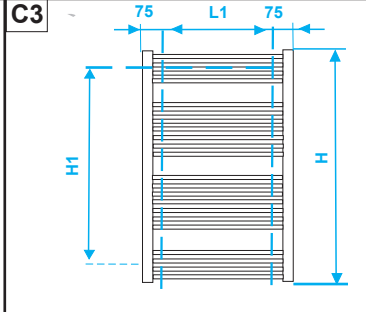
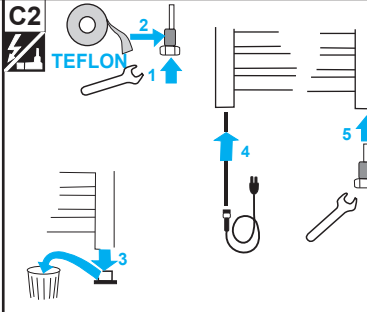
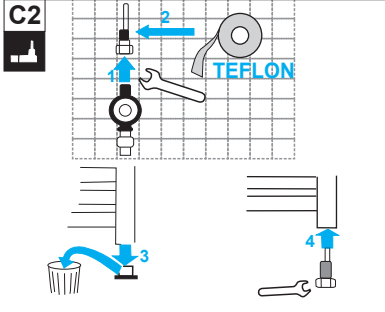
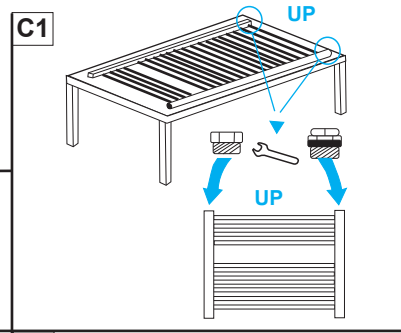
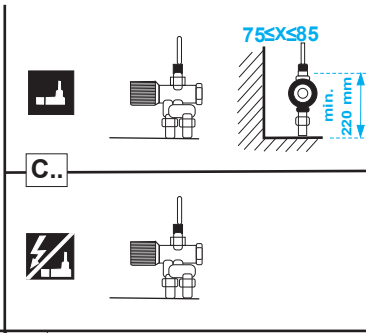
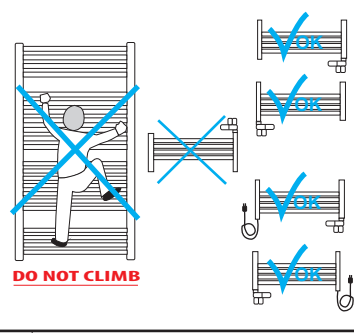
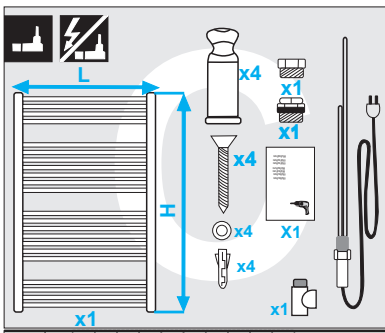
TYPE T090

- (D) Montageanleitung
- (GB) Assembly Instructions
- (F) Instructions de montage
- (I) Istruzione di montaggio
- (E) Instrucciones de montaje
- (H) Szerelési utasítás
- (NL) Montageaanwijzing

© Copyright by PMA 08/06

852 260





- If a colored radiator is dirty due to transport, warehousing or installation, the surface of the radiator should be cleaned with cold or luke warm water. For persistent marks, a neutral or low alkaline cleaner can be used.
- Further cleaning can be achieved by using soft, non-abrasive cloths or rags.
- The surface temperature of the radiator must not be higher than 25 °C during the cleaning process.
- The maximum temperature for the detergent is 25 °C. Do not use steam jet appliances.
- Do not use scraping or abrasive devices. Only use soft cloths for cleaning. Vigorous rubbing is to be avoided.
- Do not use acid or alkaline detergents or wetting agents.
- Do not use organic dissolving agents containing ester, ketone, alcohol, aromatics, glycol ether, halogenated hydrocarbons or other similar products.
- Do not use detergents with unknown compounds.
- Rinse with clear, cold water immediately after cleaning.

H	H _i	L	L ₁	N
607	420	400	250	355
775	588	450	300	405
1217	1008	500	350	455
1469	1260	550	400	505
1856	1680	600	450	555
		750	600	705

